

HFV28

AUTOMOTIVE RELAY



Typical Applications

Headlight control, Fuel pump control, Horn control, A/C compressor clutch

Features

- Extended temp. range up to 125°C
- 1 Form A & 1 Form C contact arrangement
- 2.8mm QC terminals
- RoHS & ELV compliant

CHARACTERISTICS

Contact arrangement	1A, 1C
Voltage drop (initial)	NO: Typ. 30mV, 250mV max. (at 10A) NC: Typ. 50mV, 250mV max. (at 10A)
Max. continuous current ¹⁾	40A (at 125°C, 1h)
Max. switching current	Make(NO): 150A ²⁾ Break(NO): 35A (Resistive, 13.5VDC)
Min. contact load	1A 6VDC
Electrical endurance	See "CONTACT DATA"
Mechanical endurance	1x10 ⁷ OPS 300OPS/min
Initial insulation resistance	100MΩ (at 500VDC)
Dielectric strength ³⁾	between contacts: 500VAC between coil & contacts: 500VAC
Operate time	Typ.: 6ms Max.: 10ms (at nomi. vol.)
Release time	Typ.: 3ms Max.: 10ms ⁴⁾
Ambient temperature	-40°C to 125°C

Vibration resistance ⁵⁾	10Hz to 40Hz 1.27mm DA 40Hz to 70Hz 49m/s ² 70Hz to 100Hz 0.5mm DA 100Hz to 500Hz 98m/s ²
Shock resistance ⁵⁾	196m/s ²
Flammability ⁶⁾	UL94-HB or better (meets FMVSS 302)
Termination	2.8mm QC
Construction	Plastic sealed, Dust protected
Unit weight	Approx. 28g (standard type)
Mechanical data	cover retention (pull & push): 200N min. terminal retention (pull & push): 100N min. terminal resistance to bending (front & side): 10N min. ⁷⁾

- 1) For NO contacts, measured when applying 100% rated voltage on coil.
- 2) Inrush peak current under lamp load, at 13.5VDC.
- 3) 1min, leakage current less than 1mA.
- 4) The value is measured when voltage drops suddenly from nominal voltage to 0 VDC and coil is not paralleled with suppression circuit.
- 5) When energized, opening time of NO contacts shall not exceed 1ms, when non-energized, opening time of NC contacts shall not exceed 1ms, meantime, NO contacts shall not be closed.
- 6) FMVSS: Federal Motor Vehicle Safety Standard.
- 7) Test point is at 2mm away from terminal end, and after removing testing force, the terminal transfiguration shall not exceed 0.5mm.

CONTACT DATA ²⁾

Load voltage	Load type		Load current A			On/Off ratio		Electrical endurance OPS	Contact material	Load wiring diagram ¹⁾	Ambient temp.
			1C		1A	On s	Off s				
			NO	NC	NO						
13.5VDC	Resistive	Make	35	20	35	2	2	1x10 ⁵	AgSnO ₂	See diagram 1	See Ambient temp. curve
		Break	35	20	35						
	Lamp	Make	150	--	150	2	2	1x10 ⁵	AgSnO ₂	See diagram 2	
		Break	30	--	30						
	Inductive	Make	80	--	80	2	2	1x10 ⁵	AgSnO ₂	See diagram 3	
		Break	33	--	33						

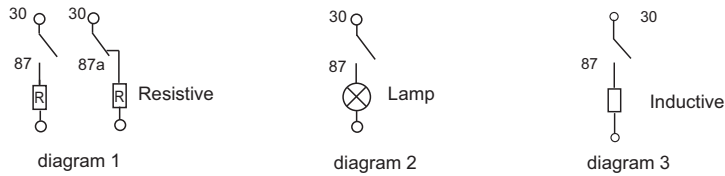


HONGFA RELAY

ISO9001, ISO/TS16949, ISO14001, OHSAS18001, IECQ QC 080000 CERTIFIED

2015 Rev. 1.00

1) The load wiring diagrams are listed below (Ratings of NO, NC are tested based on different samples separately) :



2) Loads mentioned in this chart is for relays with no parallel diode or Zener Diode. For those with parallel diode, Zener Diode or other components, please contact Hongfa for more technical supports.
Please also contact Hongfa if the actual application load is different from what mentioned above.

COIL DATA at 23°C

Nominal voltage VDC	Pick-up voltage VDC max.	Drop-out voltage VDC min.	Coil resistance $x(1\pm 10\%)\Omega$	Parallel resistance $x(1\pm 5\%)\Omega$	Equivalent resistance Ω	Power consumption W	Max. allowable overdrive voltage ¹⁾ VDC	
							at 23°C	at 85°C
12	7.2	1.2	90	---	---	1.6	21	18
12	7.2	1.2	90	680	79.5	1.8	18	18
24	14.4	2.4	360	---	---	1.6	42	34
24	14.4	2.4	360	2700	317.6	1.8	36	34

1) Max. allowable overdrive voltage is stated with no load applied.

ORDERING INFORMATION

Type	HFV28 / 12 -H 5 S T -R (XXX)							
Coil voltage	12: 12VDC 24: 24VDC							
Contact arrangement	H: 1 Form A Z: 1 Form C							
Version	5: Weatherproof Cover (Only for dust protected type) Nil: Standard type							
Construction	S: Plastic sealed Nil: Dust protected							
Contact material	T: AgSnO ₂							
Parallel coil components	R: Parallel transient suppression resistors D1: Parallel transient suppression diode, with anode connected to terminal#86 D2: Parallel transient suppression diode, with anode connected to terminal#85 Nil: Without parallel components							
Special code¹⁾	XXX: Customer special requirement Nil: Standard							

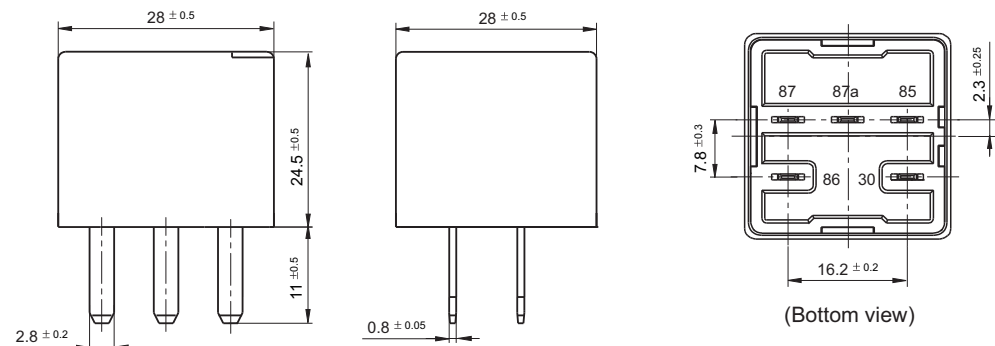
Notes: 1) The customer special requirement express as special code after evaluating by Hongfa.

OUTLINE DIMENSIONS AND WIRING DIAGRAM

Unit: mm

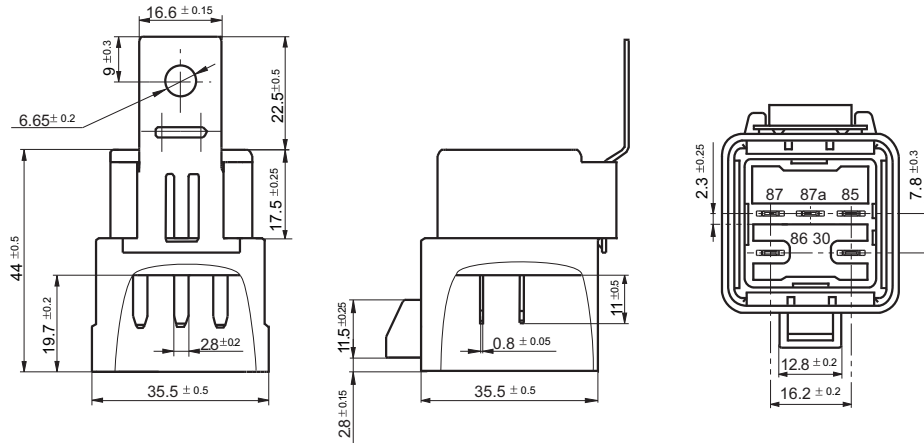
Outline Dimensions

HFV28/12-Z□□T-□(XXX)



Outline Dimensions

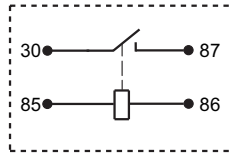
HFV28/12-Z5□T-□(XXX)



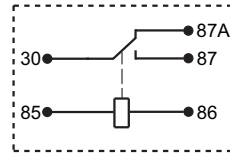
Remark: Terminal vertical deviation tolerance is 0.3mm.

Wiring Diagram

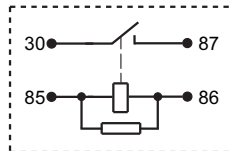
HFV28/□□-H□□T(XXX)



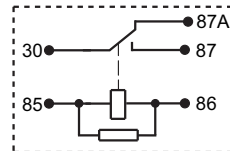
HFV28/□□-Z□□T(XXX)



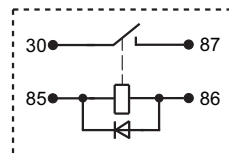
HFV28/□□-H□□T-R(XXX)



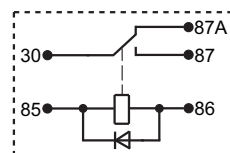
HFV28/□□-Z□□T-R(XXX)



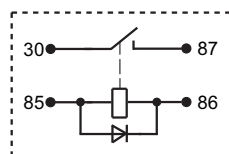
HFV28/□□-H□□T-D1(XXX)



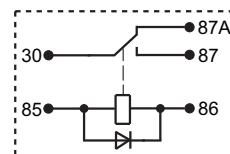
HFV28/□□-Z□□T-D1(XXX)



HFV28/□□-H□□T-D2(XXX)

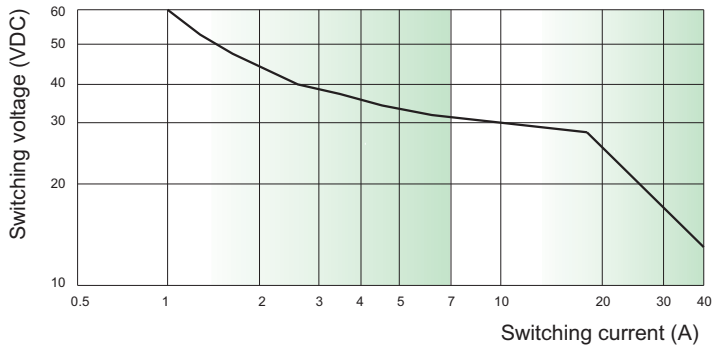


HFV28/□□-Z□□T-D2(XXX)



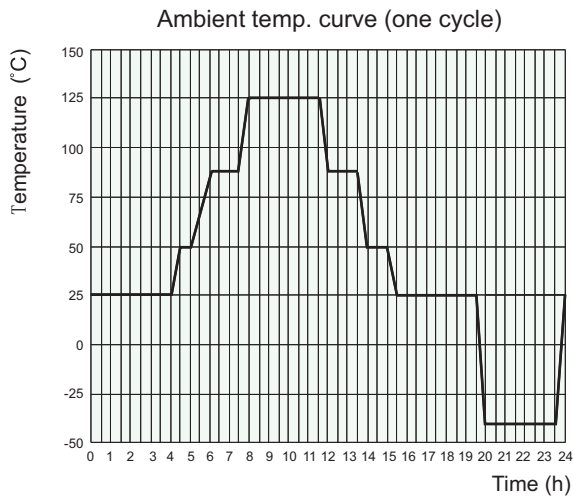
CHARACTERISTIC CURVES

1. Load limit curve (at 23°C)



- 1) This chart takes 12VDC, NO contact, resistive load as example.
- 2) The load and electrical endurance tests are made according to "CONTACT DATA" parameters' table. If actual load voltage, current, or operate frequency is different from "CONTACT DATA" table, please arrange corresponding tests for confirmation.

2. Ambient temperature curve of the electrical endurance test



- 1) The minimum temperature is -40°C.
- 2) The maximum temperature is 125°C.

Disclaimer

The specification is for reference only. See to "Terminology and Guidelines" for more information. Specifications subject to change without notice. In case there is specific criterion (such as mission profile, technical specification, PPAP etc.) checked and agreed by and between customer and Hongfa, this specific criterion should be taken as standard regarding any requirement on Hongfa product. We could not evaluate all the performance and all the parameters for every possible application. Thus the user should be in a right position to choose the suitable product for their own application. If there is any query, please contact Hongfa for the technical service. However, it is the user's responsibility to determine which product should be used only.

© Xiamen Hongfa Electroacoustic Co., Ltd. All rights of Hongfa are reserved.